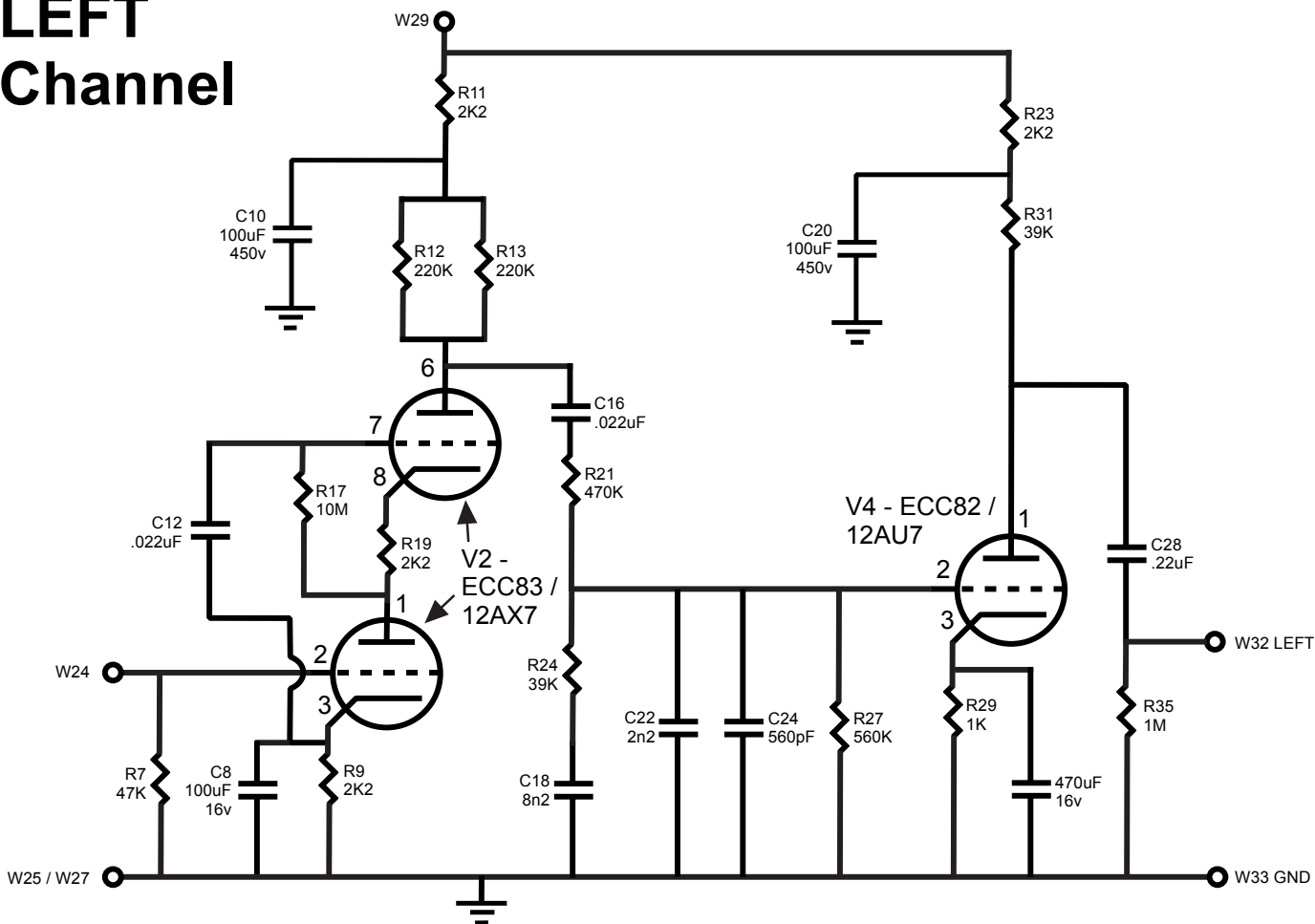


LEFT Channel



RIGHT Channel

